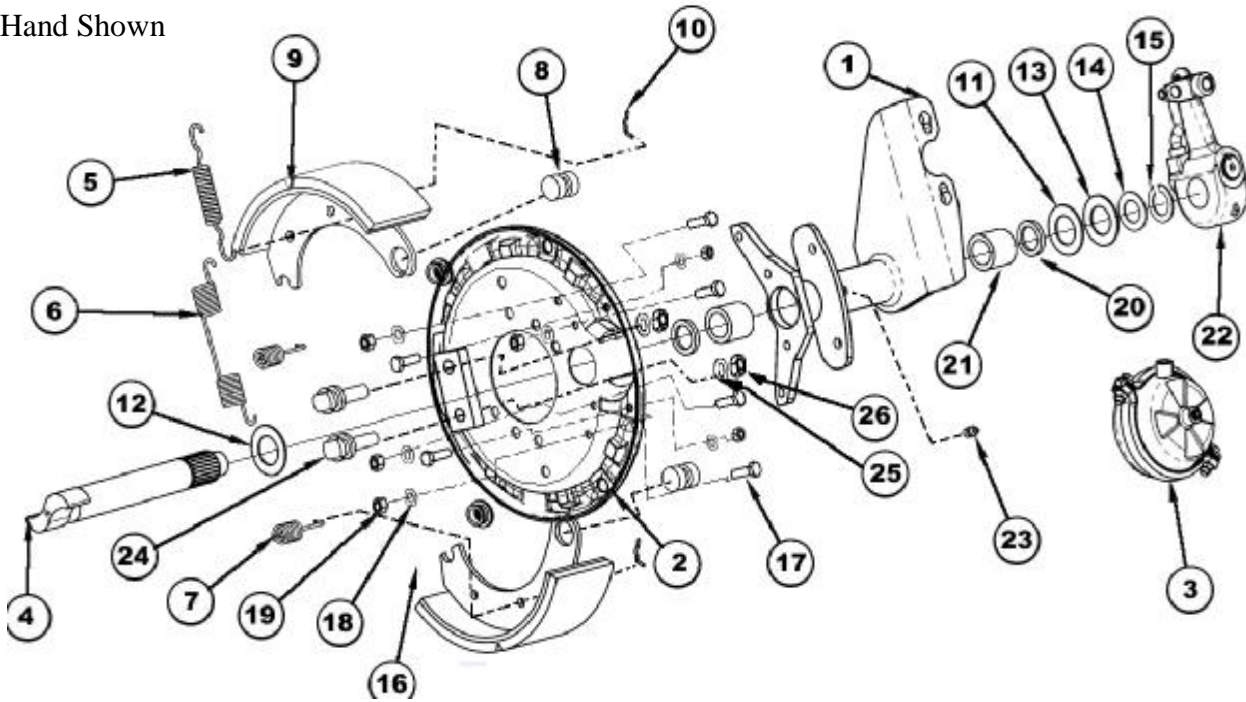


**12.75 x 4
BRAKE**

**8K STEERABLE AXLE BRAKE EXPLODED VIEW
MERITOR 325 X 100MM (12.75X4)
SL085X, SL089X**

SL/STL

Left Hand Shown



PARTS # 1,11,13,14,15,20,21 ARE IN KIT BBAK04 (-10 or -11 for LH & -20 or -21 for RH)
PARTS #11,13,14,15,20,21 ARE IN KIT BCBK04 PART # 5, 6, 7, 8, 10, 24, 25, 26 ARE IN KIT BRK10
REF: W/C Brake P/N 17815-(10/20) & (11/21)

PARTS LIST

NO.	QTY PER BRAKE	W/C #	DESCRIPTION	NO.	QTY PER BRAKE	W/C #	DESCRIPTION
1	1	FM983299Y6837	CHAMBER BRACKET LH	12	1	1229B236	WASHER CAM HEAD FLAT
		FM983299Z6838	CHAMBER BRACKET RH	13	1	1229K4093	WASHER-FLAT
2	1	A3236FM81	BACKING PLATE LH	14	1	1229L4094	WASHER-FLAT
		A3236FM80	BACKING PLATE RH	15	1	1229J4092P	CAMSHAFT RETAINER RING
3	1	12005C*	TYPE 12 BRAKE CHAMBER FOR ASSEMBLY 17815-10/20 LH/RH	16	2	1250H1204	PLUG
		1617001*	TYPE 24 BRAKE CHAMBER FOR ASSEMBLY 17815-11/21 LH/RH	17	6	41X1372P	CAPSCREW
4	1	2210FM391	CAMSHAFT LH	18	8	MWA510Z	WASHER-FLAT
		2210FM392	CAMSHAFT RH	19	6	40X1243	HEXAGON NUT M10 x 1 (NYLOCK)
5	1	2258Z1378	RETURN SPRING	20**	2	A1205D2110	SEAL CAMSHAFT (GREASE)
6	1	2258C1251	BRAKE SHOE RETURN SPRING	21**	2	1225R1136	BUSHING-CAMSHAFT
7	2	2258B1250	ANTI-RATTLE SPRING	22	1	XA32754065	SLACK ADJUSTER
8	2	1199G3725	CAM ROLLER	23	1	1199N1860	GREASE ZERK
9	2	A23222T2126	BRAKE SHOE AND LINING ASSY.	24***	2	1259C1147	ANCHOR PIN
10	2	2257P1134	SHOE SPRING CLIP	25***	2	10032	Washer - Hardened (Meritor # 42X1443)
11	1	1229Q277	WASHER-FLAT	26***	2	40X1150Z	Hexagon Nut M16x1.5 Locknut
*	Cut Push Rod of Brake Chamber to Required Length.			**	Items sold separately or included in items 1		
***	Items sold separately or included in items 2						

Rev 2.16.2010



Watson Suspension Systems

725 E. University Drive • McKinney, Texas 75069 • (800) 445-0736 • (972) 547-6020 • Fax (972) 542-0097