

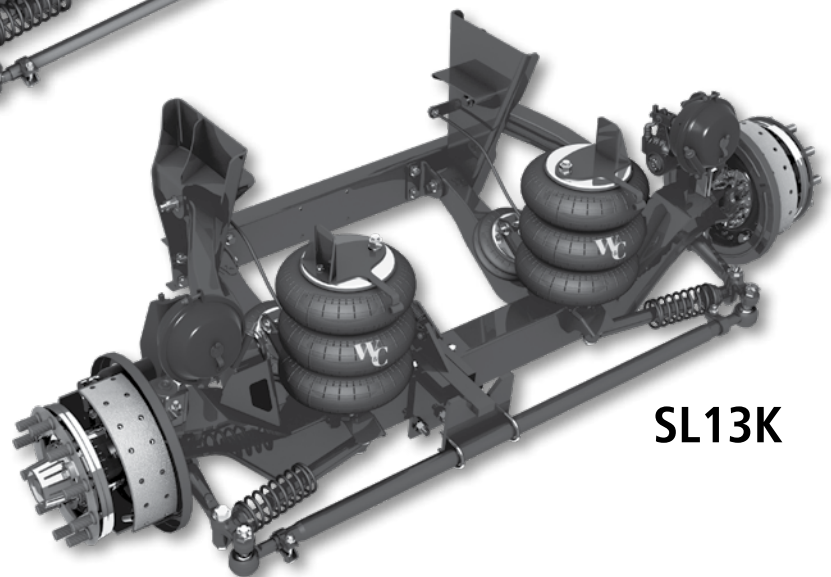
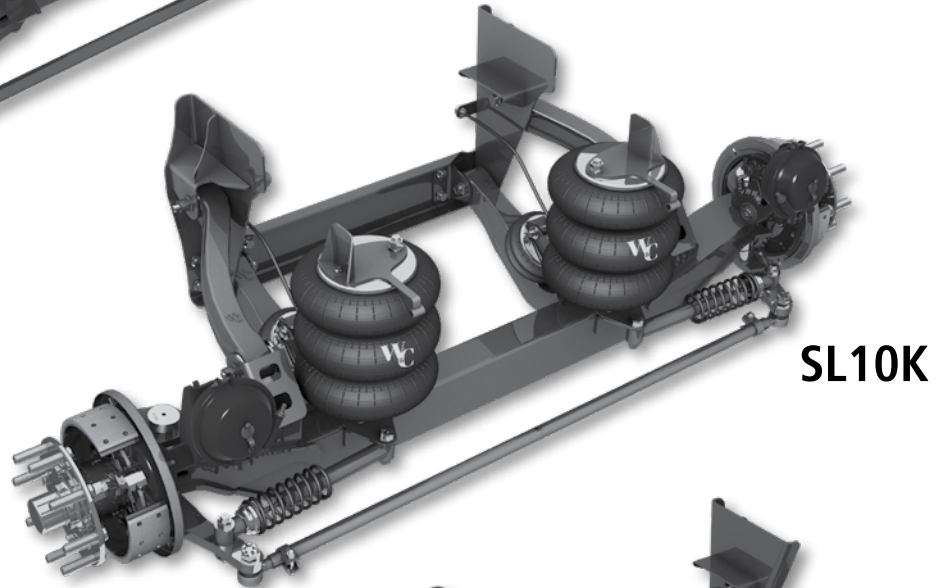


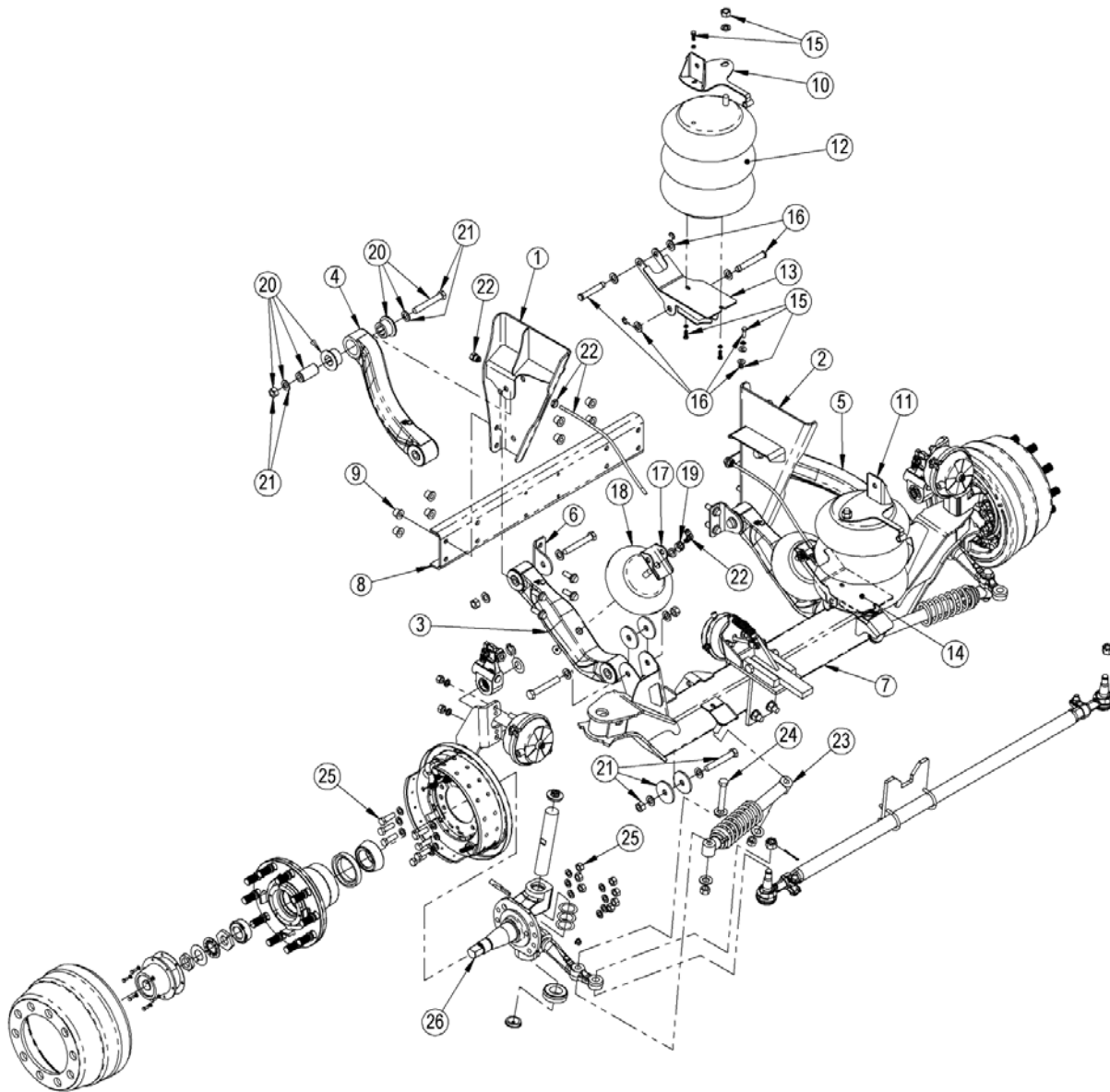
PARTS LIST

SL SERIES 8K, 10K, 13K

LIT NO: W&C205 Rev A

DATE: April 2019





ITEM NO.	QTY.	DESCRIPTION	ITEM NO.	QTY.	DESCRIPTION
1	1	HANGER ASSEMBLY LH	14	1	LOWER BAG PLATE ASSEMBLY RH
2	1	HANGER ASSEMBLY RH	15	1	LOAD AIRSPRING HARDWARE PACK
3	2	ARM ASSEMBLY LOWER	16	1	LOWER BAG PLATE ASSEMBLY HARDWARE
4	1	ARM ASSEMBLY UPPER LH	17	2	LIFT BAG PLATE
5	1	ARM ASSEMBLY UPPER RH	18	2	AIR SPRING LIFT
6	2	ARM INNER PIVOT PLATE	19	1	LIFT AIR SPRING HARDWARE PACK
7	1	AXLE ASSEMBLY	20	1	TRAILING ARM BUSHINGS / PIVOT HARDWARE
8	1	CROSSMEMBER	21	1	PIVOT HARDWARE
9	1	BOLT-ON CROSSMEMBER HARDWARE	22	1	LIFT BAG PLUMBING
10	1	UPPER BAG PLATE ASSEMBLY LH	23	2	STABILIZER SHOCK ABSORBER
11	1	UPPER BAG PLATE ASSEMBLY RH	24	1	STABILIZER SHOCK HARDWARE
12	2	AIR SPRING LOAD	25	1	BRAKE ATTACHMENT HARDWARE
13	1	LOWER BAG PLATE ASSEMBLY LH	26	1	KNUCKLE ASSEMBLY

Parts List - SL SERIES 8K, 10K, 13K



ITEM	DESCRIPTION	CAP.	YRS. OF SERVICE	SUSPENSION MODEL	QTY.	PART NUMBER	CURRENT REPLACEMENT		
1	HANGER LH	13K	2004 - 2006	SL1190	1	920490-10	920490-12		
			2007 - Present	SL1190	1	920490-12			
			2007 - Present	SL1190 w/PPAK250	1	920490-14	920490-14		
			2011 - Present	SL1190SSR (12" - 14")	1	920853-11	920853-11		
			2011 - Present	SL1190SSR (12" - 14" w/PPAK250)	1	920853-13	920853-13		
			2014 - Present	SL1190SSR (15" - 17")	1	920888-10	920888-10		
			2014 - Present	SL1190SSR (15" - 17" w/PPAK250)	1	920888-12	920888-12		
			2012 - Present	SL1195	1	920490-12	920490-12		
			2012 - Present	SL1195 w/PPAK250	1	920490-14	920490-14		
			2012 - Present	SL1195SSR (12" - 14")	1	920853-11	920853-11		
			2012 - Present	SL1195SSR (12" - 14" w/PPAK250)	1	920853-13	920853-13		
			2012 - Present	SL1195SSR (15" - 17")	1	920888-10	920888-10		
			2012 - Present	SL1195SSR (15" - 17" w/PPAK250)	1	920888-12	920888-12		
			2015 - Present	SL13AA (12" - 14")	1	920853-11	920853-11		
			2015 - Present	SL13AA (12" - 14" w/PPAK250)	1	920853-13	920853-13		
			2015 - Present	SL13AA (15" - 17")	1	920888-10	920888-10		
			2015 - Present	SL13AA (15" - 17" w/PPAK250)	1	920888-12	920888-12		
			10K	2009 - Present	SL1093	1	920522-14	920522-14	
		2012 - Present		SL1093SSR (14" - 16" Run Height)	1	920879-14	920879-14		
		2012 - Present		SL1093SSR (17" - 19" Run Height)	1	920886-10	920886-10		
		8K	2004 - 2006	SL0890/0893	1	920522-10	920522-12		
			2007 - Present	SL0890/0893	1	920522-12			
			2007 - Present	SL0893 (18" & 19" Run Height)	1	920619-10	920619-10		
			2008 - Present	SL0890/0893 w/PPAK250	1	920522-13	920522-13		
			2012 - Present	SL0893SSR (14" - 16")	1	920879-12	920879-12		
			2012 - Present	SL0893SSR (14" - 16" w/PPAK250)	1	920879-13	920879-13		
		2	HANGER RH	13K	2004 - 2006	SL1190	1	920490-20	920490-22
					2007 - Present	SL1190	1	920490-22	
2007 - Present	SL1190 w/PPAK250				1	920490-24	920490-24		
2011 - Present	SL1190SSR (12" - 14")				1	920853-21	920853-21		
2011 - Present	SL1190SSR (12" - 14" w/PPAK250)				1	920853-23	920853-23		
2014 - Present	SL1190SSR (15" - 17" all)				1	920888-20	920888-20		
2012 - Present	SL1195				1	920490-22	920490-22		
2012 - Present	SL1195 w/PPAK250				1	920490-24	920490-24		
2012 - Present	SL1195SSR (12" - 14")				1	920853-21	920853-21		
2012 - Present	SL1195SSR (12" - 14" w/PPAK250)				1	920853-23	920853-23		
2012 - Present	SL1195SSR (15" - 17" all)				1	920888-20	920888-20		
2015 - Present	SL13AA (12" - 14" all)				1	920853-21	920853-21		
2015 - Present	SL13AA (15" - 17" all)				1	920888-20	920888-20		
10K	2009 - Present				SL1093	1	920522-24	920522-24	
	2012 - Present				SL1093SSR (14" - 16" Run Height)	1	920879-24	920879-24	
	2012 - Present				SL1093SSR (17" - 19" Run Height)	1	920886-20	920886-20	
8K	2004 - 2006				SL0890/0893	1	920522-20	920522-22	
	2007 - Present				SL0890/0893	1	920522-22		
	2007 - Present			SL0893 (18" & 19" Run Height)	1	920619-20	920619-20		
	2008 - Present			SL0890/0893 w/PPAK250	1	920522-23	920522-23		
	2012 - Present			SL0893SSR (14" - 16")	1	920879-22	920879-22		
	2012 - Present			SL0893SSR (14" - 16" w/PPAK250)	1	920879-23	920879-23		

Parts List - SL SERIES 8K, 10K, 13K



ITEM	DESCRIPTION	CAP.	YRS. OF SERVICE	SUSPENSION MODEL	QTY.	PART NUMBER	CURRENT REPLACEMENT
3	ARM ASSEMBLY LOWER	13K	2004 - 2009	SL1190 (ALUM/POLY)	2	930238-02	930347-01
			2009 - 2014	SL1190 (ALUM/RUBBER)	2	930280-02	
			2014 - Present	SL1190 (ALUM/POLY)	2	930347-01	
			2004 - 2007	SL1190 (STEEL FAB/POLY)	2	930238-01	930347-03
			2007 - 2009	SL1190 (CAST STEEL/POLY)	2	930238-04	
			2009 - 2014	SL1190 (CAST STEEL/RUBBER)	2	930280-04	
			2014 - Present	SL1190 (CAST STEEL/POLY)	2	930347-03	
			2011 - 2014	SL1190SSR (STEEL FAB/RUBBER)	2	930306	930349
			2014 - Present	SL1190SSR (STEEL FAB/POLY)	2	930349	930349
			2014 - Present	SL1190SSR (ALUM/POLY)	2	930353	930353
			2012 - 2014	SL1195 (ALUM/RUBBER)	2	930280-02	930347-01
			2014 - Present	SL1195 (ALUM/POLY)	2	930347-01	930347-01
			2012 - 2014	SL1195SSR (STEEL FAB/RUBBER)	2	930306	930349
			2014 - Present	SL1195SSR (STEEL FAB/POLY)	2	930349	930349
			2014 - Present	SL1195SSR (ALUM/POLY)	2	930353	930353
			2015 - Present	SL13AA (Wide Based Arm - LH)	1	930357-10	930357-10
		SL13AA (Wide Based Arm - RH)		1	930357-20	930357-20	
		10K	2009 - 2014	SL1093 (ALUM/RUBBER)	2	930280-02	930347-01
			2014 - Present	SL1093 (ALUM/POLY)	2	930347-01	930347-01
			2012 - 2014	SL1093SSR (STEEL FAB/RUBBER)	2	930306	930349
			2014 - Present	SL1093SSR (STEEL FAB/POLY)	2	930349	930349
			2014 - Present	SL1093SSR (ALUM/POLY)	2	930353	930353
		8K	2004 - 2009	SL0890/0893 (ALUM/POLY)	2	930238-03	930347-01
			2009 - 2014	SL0890/0893 (ALUM/RUBBER)	2	930280-03	
			2014 - 2015	SL0890/0893 (ALUM/POLY)	2	930347-02	
			2015 - Present	SL0890/0893 (ALUM/POLY)	2	930347-01	
			2004 - 2007	SL0890/0893 (STEEL FAB/POLY)	2	930238-01	930347-03
			2007 - 2009	SL0890/0893 (CAST STEEL/POLY)	2	930238-04	
2009 - 2014	SL0890/0893 (CAST STEEL/RUBBER)		2	930280-04			
2014 - Present	SL0890/0893 (CAST STEEL/POLY)		2	930347-03			
2012 - 2014	SL0893SSR (STEEL FAB/RUBBER)		2	930306	930349		
2014 - Present	SL0893SSR (STEEL FAB/POLY)		2	930349	930349		
2014 - Present	SL0893SSR (ALUM/POLY)		2	930353	930353		

4	ARM ASSEMBLY UPPER LH	13K	2004 - 2009	SL1190 (ALUM/POLY)	1	930239-11	930348-11
			2009 - 2014	SL1190 (ALUM/RUBBER)	1	930281-11	
			2014 - Present	SL1190 (ALUM/POLY)	1	930348-11	
			2004 - 2007	SL1190 (STEEL FAB/POLY)	1	930239	930348-12
			2007 - 2009	SL1190 (CAST STEEL/POLY)	1	930239-12	
			2009 - 2014	SL1190 (CAST STEEL/RUBBER)	1	930281-12	
			2014 - Present	SL1190 (CAST STEEL/POLY)	1	930348-12	
			2011 - 2014	SL1190SSR (STEEL FAB/RUBBER)	1	930304	930350
			2014 - Present	SL1190SSR (STEEL FAB/POLY)	1	930350	930350
			2014 - Present	SL1190SSR (ALUM/POLY)	1	930356-10	930356-10
			2012 - 2014	SL1195 (ALUM/RUBBER)	1	930281-11	930348-11
			2014 - Present	SL1195 (ALUM/POLY)	1	930348-11	930348-11
			2012 - 2014	SL1195SSR (STEEL FAB/RUBBER)	1	930304	930350
			2014 - Present	SL1195SSR (STEEL FAB/POLY)	1	930350	930350

Parts List - SL SERIES 8K, 10K, 13K



(Continued from page 3)

ITEM	DESCRIPTION	CAP.	YRS. OF SERVICE	SUSPENSION MODEL	QTY.	PART NUMBER	CURRENT REPLACEMENT
4	ARM ASSEMBLY UPPER LH	13K	2014 - Present	SL1195SSR (ALUM/POLY)	1	930356-10	930356-10
			2015 - Present	SL13AA (ALUM/POLY)	1	930356-10	930356-10
		10K	2009 - 2014	SL1093 (ALUM/RUBBER)	1	930281-11	930348-11
			2014 - Present	SL1093 (ALUM/POLY)	1	930348-11	
			2012 - 2014	SL1093SSR (STEEL FAB/RUBBER)	1	930304	930350
			2014 - Present	SL1093SSR (STEEL FAB/POLY)	1	930350	
			2014 - Present	SL1093SSR (ALUM/POLY)	1	930356-10	930356-10
		8K	2004 - 2009	SL0890/0893 (ALUM/POLY)	1	930239-11	930348-11
			2009 - 2014	SL0890/0893 (ALUM/RUBBER)	1	930281-11	
			2014 - Present	SL0890/0893 (ALUM/POLY)	1	930348-11	
			2004 - 2007	SL0890/0893 (STEEL FAB/POLY)	1	930239	930348-12
			2007 - 2009	SL0890/0893 (CAST STEEL/POLY)	1	930239-12	
			2009 - 2014	SL0890/0893 (CAST STEEL/RUBBER)	1	930281-12	
			2014 - Present	SL0890/0893 (CAST STEEL/POLY)	1	930348-12	
			2012 - 2014	SL0893SSR (STEEL FAB/RUBBER)	1	930304	930350
			2014 - Present	SL0893SSR (STEEL FAB/POLY)	1	930350	
			2014 - Present	SL0893SSR (ALUM/POLY)	1	930356-10	930356-10

5	ARM ASSEMBLY UPPER RH	13K	2004 - 2009	SL1190 (ALUM/POLY)	1	930239-21	930348-21
			2009 - 2014	SL1190 (ALUM/RUBBER)	1	930281-21	
			2014 - Present	SL1190 (ALUM/POLY)	1	930348-21	
			2004 - 2007	SL1190 (STEEL FAB/POLY)	1	930239	930348-22
			2007 - 2009	SL1190 (CAST STEEL/POLY)	1	930239-22	
			2009 - 2014	SL1190 (CAST STEEL/RUBBER)	1	930281-22	
			2014 - Present	SL1190 (CAST STEEL/POLY)	1	930348-22	
			2011 - 2014	SL1190SSR (STEEL FAB/RUBBER)	1	930304	930350
			2014 - Present	SL1190SSR (STEEL FAB/POLY)	1	930350	
			2014 - Present	SL1190SSR (ALUM/POLY)	1	930356-20	930356-20
			2012 - 2014	SL1195 (ALUM/RUBBER)	1	930281-21	930348-21
			2014 - Present	SL1195 (ALUM/POLY)	1	930348-21	
			2012 - 2014	SL1195SSR (STEEL FAB/RUBBER)	1	930304	930350
			2014 - Present	SL1195SSR (STEEL FAB/POLY)	1	930350	
			2014 - Present	SL1195SSR (ALUM/POLY)	1	930356-20	930356-20
		2015 - Present	SL13AA (ALUM/POLY)	1	930356-20	930356-20	
		10K	2009 - 2014	SL1093 (ALUM/RUBBER)	1	930281-21	930348-21
			2014 - Present	SL1093 (ALUM/POLY)	1	930348-21	
			2012 - 2014	SL1093SSR (STEEL FAB/RUBBER)	1	930304	930350
			2014 - Present	SL1093SSR (STEEL FAB/POLY)	1	930350	
			2014 - Present	SL1093SSR (ALUM/POLY)	1	930356-20	930356-20
		8K	2004 - 2009	SL0890/0893 (ALUM/POLY)	1	930239-21	930348-21
			2009 - 2014	SL0890/0893 (ALUM/RUBBER)	1	930281-21	
			2014 - Present	SL0890/0893 (ALUM/POLY)	1	930348-21	
			2004 - 2007	SL0890/0893 (STEEL FAB/POLY)	1	930239	930348-22
			2007 - 2009	SL0890/0893 (CAST STEEL/POLY)	1	930239-22	
			2009 - 2014	SL0890/0893 (CAST STEEL/RUBBER)	1	930281-22	
2014 - Present	SL0890/0893 (CAST STEEL/POLY)		1	930348-22			
2012 - 2014	SL0893SSR (STEEL FAB/RUBBER)	1	930304	930350			

Parts List - SL SERIES 8K, 10K, 13K



(Continued from page 4)

ITEM	DESCRIPTION	CAP.	YRS. OF SERVICE	SUSPENSION MODEL	QTY.	PART NUMBER	CURRENT REPLACEMENT
5	ARM ASSEMBLY UPPER RH	8K	2014 - Present	SL0893SSR (STEEL FAB/POLY)	1	930350	930350
			2014 - Present	SL0893SSR (ALUM/POLY)	1	930356-20	930356-20

6	ARM INNER PIVOT PLATE	13K	2004 - 2005	SL1190	2	21186	21186
			2005 - 2006	SL1190 (LH)	1	990281-10	990281-10
				SL1190 (RH)	1	990281-20	990281-20
			2006 - Present	SL1190	2	21470	21470
			2011 - Present	SL1190SSR	2	21908	21908
			2012 - Present	SL1195	2	21470	21470
			2012 - Present	SL1195SSR	2	21908	21908
			2015 - Present	SL13AA	2	21908	21908
		10K	2009 - Present	SL1093	2	21470	21470
			2012 - Present	SL1093SSR	2	21908	21908
		8K	2004 - 2006	SL0890/0893	2	21262	21262
			2006	SL0890/0893 (LH)	1	990281-10	990281-10
				SL0890/0893 (RH)	1	990281-20	990281-20
			2006 - Present	SL0890/0893	2	21470	21470
			2012 - Present	SL0893SSR	2	21908	21908

7	AXLE ASSEMBLY	13K	w/Meritor Knuckles 2004 - 2005	SL1190 (33.50" - 34.50" Frame Width)	1	160066	160108	
				SL1190 (35" Frame Width)	1	160066-01	160108-01	
			w/Meritor Knuckles 2005 - 2006	SL1190 (33.50" - 34.50" Frame Width)	1	160069	160108	
				SL1190 (35" Frame Width)	1	160069-01	160108-01	
			w/Meritor Knuckles 2006 - 2007	SL1190 (33.50" - 34.50" Frame Width)	1	160081	160097	
				SL1190 (35" Frame Width)	1	160081-01	160097-01	
			w/Meritor Knuckles 2007 - Present	SL1190 (33.50" - 34.50" Frame Width)	1	160097	160097	
				SL1190 (35" Frame Width)	1	160097-01	160097-01	
			w/Westport Knuckles 2006 - 2008	SL1190 (33.50" - 34.50" Frame Width)	1	160083	160108	
				SL1190 (35" Frame Width)	1	160083-01	160108-01	
			w/Westport Knuckles 2008 - 2009	SL1190 (33.50" - 34.50" Frame Width)	1	160096	160108	
				SL1190 (35" Frame Width)	1	160096-01	160108-01	
			w/Westport Knuckles 2009 - Present	SL1190 (33.50" - 34.50" Frame Width)	1	160108	160108	
				SL1190 (35" Frame Width)	1	160108-01	160108-01	
			2011 - Present	SL1190SSR (33.50" - 34.50" Frame Width)	1	160108	160108	
				SL1190SSR (35" Frame Width)	1	160108-01	160108-01	
			2012 - Present	SL1195 (33.50" - 34.50" Frame Width)	1	160123	160123	
				SL1195 (35" Frame Width)	1	160123-01	160123-01	
			2012 - Present	SL1195SSR (33.50" - 34.50" Frame Width)	1	160123	160123	
				SL1195SSR (35" Frame Width)	1	160123-01	160123-01	
			2015 - Present	SL13AA (33.50" - 34.50" Frame Width)	1	160135	160135	
				SL13AA (35" Frame Width)	1	160135-01	160135-01	
			10K	2009 - Present	SL1093 (33.50" - 34.50" Frame Width)	1	160111	160111
					SL1093 (35" Frame Width)	1	160111-01	160111-01
2012 - Present	SL1093SSR(33.50" - 34.50" Frame Width)	1		160111	160111			
	SL1093SSR (35" Frame Width)	1	160111-01	160111-01				
8K	w/Meritor Knuckles 2004 - 2007	SL0890 (33.50" - 34.50" Frame Width)	1	160065	160076			
		SL0890 (35" Frame Width)	1	160065-01	160076-01			
	w/Meritor Knuckles 2007 - Present	SL0890 (33.50" - 34.50" Frame Width)	1	160076	160076			
		SL0890 (35" Frame Width)	1	160076-01	160076-01			

Parts List - SL SERIES 8K, 10K, 13K



(Continued from page 5)

ITEM	DESCRIPTION	CAP.	YRS. OF SERVICE	SUSPENSION MODEL	QTY.	PART NUMBER	CURRENT REPLACEMENT			
7	AXLE ASSEMBLY	8K	w/Westport Knuckles 2006 - 2007	SL0890 (33.50" - 34.50" Frame Width)	1	160077	160092			
				SL0890 (35" Frame Width)	1	160077-01	160092-01			
			w/Westport Knuckles 2007 - Present	SL0890 (33.50" - 34.50" Frame Width)	1	160092	160092			
				SL0890 (35" Frame Width)	1	160092-01	160092-01			
			w/Meritor Knuckles 2006 - Present	SL0893 (33.50" - 34.50" Frame Width)	1	160073	160073			
				SL0893 (35" Frame Width)	1	160073-01	160073-01			
			w/Westport Knuckles 2006 - Present	SL0893 (33.50" - 34.50" Frame Width)	1	160078	160078			
				SL0893 (35" Frame Width)	1	160078-01	160078-01			
			w/Westport Knuckles 2012 - Present	SL0893SSR (33.50" - 34.50" Frame Width)	1	160078	160078			
				SL0893SSR (35" Frame Width)	1	160078-01	160078-01			
			8	CROSSMEMBER	13K	2004 - 2006	SL1190 (33.50" Frame Width)	1	91032-01	91032-01
							SL1190 (34" Frame Width)	1	91032	91032
SL1190 (34.50" Frame Width)	1	91032-02					91032-02			
SL1190 (35" Frame Width)	1	91032-03					91032-03			
2007 - Present	SL1190 (33.50" Frame Width)	1				91250-01	91250-01			
	SL1190 (34" Frame Width)	1				91250	91250			
	SL1190 (34.50" Frame Width)	1				91250-02	91250-02			
	SL1190 (35" Frame Width)	1				91250-03	91250-03			
2011 - Present	SL1190SSR (33.50" Frame Width)	1				91250-01	91250-01			
	SL1190SSR (34" Frame Width)	1				91250	91250			
	SL1190SSR (34.50" Frame Width)	1				91250-02	91250-02			
	SL1190SSR (35" Frame Width)	1				91250-03	91250-03			
2012 - Present	SL1195(SR & SSR 33.50" Frame Width)	1				91250-01	91250-01			
	SL1195(SR & SSR 34" Frame Width)	1				91250	91250			
	SL1195(SR & SSR 34.50" Frame Width)	1				91250-02	91250-02			
	SL1195(SR & SSR 35" Frame Width)	1				91250-03	91250-03			
2015 - Present	SL3AA (33.50" Frame Width)	1				91250-01	91250-01			
	SL3AA (34" Frame Width)	1				91250	91250			
	SL3AA (34.50" Frame Width)	1				91250-02	91250-02			
	SL3AA (35" Frame Width)	1				91250-03	91250-03			
10K	2009 - Present	SL1093 (33.50" Frame Width)				1	91589-01	91589-01		
		SL1093 (34" Frame Width)				1	91589	91589		
		SL1093 (34.50" Frame Width)				1	91589-02	91589-02		
		SL1093 (35" Frame Width)				1	91589-03	91589-03		
	2012 - Present	SL1093SSR (33.50" Frame Width)			1	91589-01	91589-01			
		SL1093SSR (34" Frame Width)			1	91589	91589			
		SL1093SSR (34.50" Frame Width)			1	91589-02	91589-02			
		SL1093SSR (35" Frame Width)			1	91589-03	91589-03			
	8K	2004 - 2007			SL0890 (33.50" Frame Width)	1	91032-01	91032-01		
					SL0890 (34" Frame Width)	1	91032	91032		
					SL0890 (34.50" Frame Width)	1	91032-02	91032-02		
					SL0890 (35" Frame Width)	1	91032-03	91032-03		
2007 - Present		SL0890 (33.50" Frame Width)			1	91250-01	91250-01			
		SL0890 (34" Frame Width)			1	91250	91250			
		SL0890 (34.50" Frame Width)			1	91250-02	91250-02			
		SL0890 (35" Frame Width)			1	91250-03	91250-03			
2006 - 2007		SL0890 (33.50" Frame Width)			1	91032-01	91032-01			
		SL0890 (34" Frame Width)			1	91032	91032			

Parts List - SL SERIES 8K, 10K, 13K



(Continued from page 6)

ITEM	DESCRIPTION	CAP.	YRS. OF SERVICE	SUSPENSION MODEL	QTY.	PART NUMBER	CURRENT REPLACEMENT
8	CROSSMEMBER	8K	2006 - 2007	SL0893 (34.50" Frame Width)	1	91032-02	91032-02
				SL0893 (35" Frame Width)	1	91032-03	91032-03
			2007 - Present	SL0893 (33.50" Frame Width)	1	91032-01	91032-01
				SL0893 (34" Frame Width)	1	91250	91250
				SL0893 (34.50" Frame Width)	1	91250-02	91250-02
				SL0893 (35" Frame Width)	1	91250-03	91250-03
			2012 - Present	SL0893SSR (33.50" Frame Width)	1	91250-01	91250-01
				SL0893SSR (34" Frame Width)	1	91250	91250
				SL0893SSR (34.50" Frame Width)	1	91250-02	91250-02
				SL0893SSR (35" Frame Width)	1	91250-03	91250-03
9	BOLT-ON CROSSMEMBER HARDWARE PACK	13K	2004 - Present	SL1190 (SR and SSR)	1	16084	HPCM16084
			2012 - Present	SL1195 (SR and SSR)	1		
			2013 - Present	SL13AA	1		
		10K	2009 - Present	SL1093	1		
			2012 - Present	SL1093SSR	1		
		8K	2004 - Present	SL0890/0893	1		
			2012 - Present	SL0893SSR	1		
10	UPPER BAG PLATE LH	13K	2004 - Present	SL1190 (No PPAK)	1	950182	950185-10
			2007 - Present	SL1190 (w/PPAK)	1	950185-10	
			2011 - Present	SL1190SSR (12" - 14" No PPAK)	1	950182	
			2011 - Present	SL1190SSR (12" - 14" w/PPAK)	1	950185-10	950185-37
			2014 - Present	SL1190SSR (15" - 17")	1	950185-37	
			2012 - Present	SL1195	1	950185-10	950185-10
			2012 - Present	SL1195SSR (12" - 14")	1	950185-10	
			2012 - Present	SL1195SSR (15" - 17")	1	950185-37	950185-37
			2015 - Present	SL13AA (12" - 14")	1	950185-10	
		2015 - Present	SL13AA (15" - 17")	1	950185-37	950185-10	
		10K	2009 - Present	SL1093 (No PPAK)	1		950182
			2009 - Present	SL1093 (w/ PPAK)	1		950185-10
			2012 - Present	SL1093SSR (14" - 16" Run Height)	1	950185-10	
		8K	2012 - Present	SL1093SSR (17" - 19" Run Height)	1	950185-37	950185-10
			2004 - Present	SL0890/0893 (No PPAK)	1	950182	
			2004 - Present	SL0890/0893 (w/PPAK)	1	950185-10	950185-12
2007 - Present	SL0893 (18" & 19" Run Height)		1	950185-12			
2012 - Present	SL0893SSR	1	950185-10	950185-10			
11	UPPER BAG PLATE RH	13K	2004 - Present	SL1190 (No PPAK)	1	950182	950185-20
			2007 - Present	SL1190 (w/PPAK)	1	950185-20	
			2011 - Present	SL1190SSR (12" - 14" No PPAK)	1	950182	
			2011 - Present	SL1190SSR (12" - 14" w/PPAK)	1	950185-20	
			2014 - Present	SL1190SSR (15" - 17")	1	950185-47	950185-47
			2012 - Present	SL1195	1	950185-20	
			2012 - Present	SL1195SSR (12" - 14")	1	950185-20	950185-47
			2012 - Present	SL1195SSR (15" - 17")	1	950185-47	
			2015 - Present	SL13AA (12" - 14")	1	950185-20	
			2015 - Present	SL13AA (15" - 17")	1	950185-47	950185-47
		10K	2009 - Present	SL1093 (No PPAK)	1	950182	
			2009 - Present	SL1093 (w/ PPAK)	1	950185-20	
			2009 - Present	SL1093 (w/ PPAK)	1	950185-20	

Parts List - SL SERIES 8K, 10K, 13K



(Continued from page 7)

ITEM	DESCRIPTION	CAP.	YRS. OF SERVICE	SUSPENSION MODEL	QTY.	PART NUMBER	CURRENT REPLACEMENT
11	UPPER BAG PLATE RH	13K	2004 - Present	SL1190 (No PPAK)	1	950182	950185-20
			2007 - Present	SL1190 (w/PPAK)	1	950185-20	
			2011 - Present	SL1190SSR (12" - 14" No PPAK)	1	950182	
			2011 - Present	SL1190SSR (12" - 14" w/PPAK)	1	950185-20	
			2014 - Present	SL1190SSR (15" - 17")	1	950185-47	950185-47
			2012 - Present	SL1195	1	950185-20	950185-20
			2012 - Present	SL1195SSR (12" - 14")	1	950185-20	
			2012 - Present	SL1195SSR (15" - 17")	1	950185-47	950185-47
			2015 - Present	SL13AA (12" - 14")	1	950185-20	950185-47
			2015 - Present	SL13AA (15" - 17")	1	950185-47	950185-47
		10K	2009 - Present	SL1093 (No PPAK)	1	950182	950185-20
			2009 - Present	SL1093 (w/ PPAK)	1	950185-20	
			2012 - Present	SL1093SSR (14" - 16" Run Height)	1	950185-20	950185-47
			2012 - Present	SL1093SSR (17" - 19" Run Height)	1	950185-47	
		8K	2004 - Present	SL0890/0893 (No PPAK)	1	950182	950185-20
			2004 - Present	SL0890/0893 (w/PPAK)	1	950185-20	
2007 - Present	SL0893 (18" & 19" Run Height)		1	950185-22	950185-22		
2012 - Present	SL0893SSR		1	950185-20	950185-20		
12	LOAD AIR SPRING	13K	2004 - Present	SL1190	2	AS0048	AS0048
			2011 - Present	SL1190SSR	2		
			2012 - Present	SL1195	2		
			2012 - Present	SL1195SSR	2		
			2015 - Present	SL13AA	2		
		10K	2009 - Present	SL1093	2		
			2012 - Present	SL1093SSR	2		
		8K	2004 - Present	SL0890/0893	2		
2012 - Present	SL0893SSR		2				
13	LOWER BAG PLATE LH	13K	2004 - 2006	SL1190 (1" Spacer)	1	950223-11	950246-11
				SL1190 (2" Spacer)	1	950223-12	950246-12
				SL1190 (3" Spacer)	1	950223-13	950246-13
				SL1190 (4" Spacer)	1	950223-14	950246-14
				SL1190 (5" Spacer)	1	950223-15	950246-15
			2007 - Present	SL1190 (1" Spacer)	1	950246-11	950246-11
				SL1190 (2" Spacer)	1	950246-12	950246-12
				SL1190 (3" Spacer)	1	950246-13	950246-13
				SL1190 (4" Spacer)	1	950246-14	950246-14
				SL1190 (5" Spacer)	1	950246-15	950246-15
			2011 - Present	SL1190SSR (3" Spacer)	1	950246-13	950246-13
				SL1190SSR (4" Spacer)	1	950246-14	950246-14
				SL1190SSR (5" Spacer)	1	950246-15	950246-15
			2012 - Present	SL1195 (1" Spacer)	1	950246-11	950246-11
				SL1195 (2" Spacer)	1	950246-12	950246-12
				SL1195 (3" Spacer)	1	950246-13	950246-13
				SL1195 (4" Spacer)	1	950246-14	950246-14
SL1195 (5" Spacer)	1	950246-15		950246-15			
SL1195SSR (3" Spacer)	1	950246-13		950246-13			
SL1195SSR (4" Spacer)	1	950246-14		950246-14			
SL1195SSR (5" Spacer)	1	950246-15	950246-15				

Parts List - SL SERIES 8K, 10K, 13K



(Continued from page 8)

ITEM	DESCRIPTION	CAP.	YRS. OF SERVICE	SUSPENSION MODEL	QTY.	PART NUMBER	CURRENT REPLACEMENT	
13	LOWER BAG PLATE LH	10K	2009 - Present	SL1093 (1" Spacer)	1	950279-11	950279-11	
				SL1093 (2" Spacer)	1	950279-12	950279-12	
				SL1093 (3" Spacer)	1	950279-13	950279-13	
				SL1093 (4" Spacer)	1	950279-14	950279-14	
				SL1093 (5" Spacer)	1	950279-15	950279-15	
			2012 - Present	SL1093SSR (3" Spacer)	1	950279-13	950279-13	
				SL1093SSR (4" Spacer)	1	950279-14	950279-14	
				SL1093SSR (5" Spacer)	1	950279-15	950279-15	
			8K	2004 - 2006	SL0890/0893 (1" Spacer)	1	920223-11	950246-11
					SL0890/0893 (2" Spacer)	1	920223-12	950246-12
		SL0890/0893 (3" Spacer)			1	920223-13	950246-13	
		SL0890/0893 (4" Spacer)			1	920223-14	950246-14	
		SL0890/0893 (5" Spacer)			1	920223-15	950246-15	
		2007 - Present		SL0890/0893 (1" Spacer)	1	950246-11	950246-11	
				SL0890/0893 (2" Spacer)	1	950246-12	950246-12	
				SL0890/0893 (3" Spacer)	1	950246-13	950246-13	
				SL0890/0893 (4" Spacer)	1	950246-14	950246-14	
		2012 - Present		SL0890/0893 SSR (3" Spacer)	1	950246-13	950246-13	
			SL0890/0893 SSR (4" Spacer)	1	950246-14	950246-14		
					SL0890/0893 SSR (5" Spacer)	1	950246-15	950246-15
14	LOWER BAG PLATE RH	13K	2004 - 2006	SL1190 (1" Spacer)	1	950223-21	950246-21	
				SL1190 (2" Spacer)	1	950223-22	950246-22	
				SL1190 (3" Spacer)	1	950223-23	950246-23	
				SL1190 (4" Spacer)	1	950223-24	950246-24	
				SL1190 (5" Spacer)	1	950223-25	950246-25	
			2007 - Present	SL1190 (1" Spacer)	1	950246-21	950246-21	
				SL1190 (2" Spacer)	1	950246-22	950246-22	
				SL1190 (3" Spacer)	1	950246-23	950246-23	
				SL1190 (4" Spacer)	1	950246-24	950246-24	
			2011 - Present	SL1190 (5" Spacer)	1	950246-25	950246-25	
				SL1190SSR (3" Spacer)	1	950246-23	950246-23	
				SL1190SSR (4" Spacer)	1	950246-24	950246-24	
			2012 - Present	SL1190SSR (5" Spacer)	1	950246-25	950246-25	
				SL1195 (1" Spacer)	1	950246-21	950246-21	
				SL1195 (2" Spacer)	1	950246-22	950246-22	
				SL1195 (3" Spacer)	1	950246-23	950246-23	
				SL1195 (4" Spacer)	1	950246-24	950246-24	
				SL1195 (5" Spacer)	1	950246-25	950246-25	
		SL1195SSR (3" Spacer)		1	950246-23	950246-23		
		2015 - Present	SL1195SSR (4" Spacer)	1	950246-24	950246-24		
			SL1195SSR (5" Spacer)	1	950246-25	950246-25		
			SL13AA (3" Spacer)	1	950325-23	950325-23		
		10K	2009 - Present	SL13AA (4" Spacer)	1	950325-24	950325-24	
				SL13AA (5" Spacer)	1	950325-25	950325-25	
				SL1093 (1" Spacer)	1	950279-21	950279-21	
					SL1093 (2" Spacer)	1	950279-22	950279-22
			SL1093 (3" Spacer)	1	950279-23	950279-23		

Parts List - SL SERIES 8K, 10K, 13K



(Continued from page 9)

ITEM	DESCRIPTION	CAP.	YRS. OF SERVICE	SUSPENSION MODEL	QTY.	PART NUMBER	CURRENT REPLACEMENT
14	LOWER BAG PLATE RH	10K	2009 - Present	SL1093 (4" Spacer)	1	950279-24	950279-24
				SL1093 (5" Spacer)	1	950279-25	950279-25
			2012 - Present	SL1093SSR (3" Spacer)	1	950279-23	950279-23
				SL1093SSR (4" Spacer)	1	950279-24	950279-24
				SL1093SSR (6" Spacer)	1	950279-25	950279-25
				SL0890/0893 (1" Spacer)	1	950246-21	950246-21
		8K	2004 - 2006	SL0890/0893 (2" Spacer)	1	950246-22	950246-22
				SL0890/0893 (3" Spacer)	1	950246-23	950246-23
				SL0890/0893 (4" Spacer)	1	950246-24	950246-24
				SL0890/0893 (5" Spacer)	1	950246-25	950246-25
			2007 - Present	SL0890/0893 (1" Spacer)	1	950246-21	950246-21
				SL0890/0893 (2" Spacer)	1	950246-22	950246-22
				SL0890/0893 (3" Spacer)	1	950246-23	950246-23
				SL0890/0893 (4" Spacer)	1	950246-24	950246-24
2012 - Present	SL0890/0893 (5" Spacer)	1	950246-25	950246-25			
	SL0890/0893 SSR (3" Spacer)	1	950246-23	950246-23			
	SL0890/0893 SSR (4" Spacer)	1	950246-24	950246-24			
	SL0890/0893 SSR (5" Spacer)	1	950246-25	950246-25			
15	LOAD AIR SPRING HARDWARE PACK	13K	2004 - 2009	SL1190	1	16061-01	HPLD11908
			2011 - Present	SL1190SSR	1		
			2012 - Present	SL1195 (SR and SSR)	1		
			2015 - Present	SL13AA	1		
		10K	2009 - Present	SL1093	1		HPLD11908-01
			2012 - Present	SL1093SSR	1		
		8K	2004 - 2015	SL0890/0893	1		HPLD11908
			2015 - Present	SL0890/0893	1		
			2012 - Present	SL0893SSR	1		
16	LOWER BAG PLATE ASSY. HARDWARE	13K	2004 - Present	SL1190	1	16110	16110
			2011 - Present	SL1190SSR	1		
			2012 - Present	SL1195 (SR and SSR)	1		
			2015 - Present	SL13AA	1		
		10K	2009 - Present	SL1093	1	16110-01	16110-01
			2012 - Present	SL1093SSR	1		
		8K	2004 - Present	SL0890/0893	1	16110	16110
			2012 - Present	SL0893SSR	1		
17	LIFT BAG PLATE	13K	2004 - 2006	SL1190	2	50193	50193
			2007 - Present	SL1190 (SR and SSR)	2		
			2012 - Present	SL1195 (SR and SSR)	2		
			2015 - Present	SL13AA	2		
		10K	2009 - Present	SL1093 (SR and SSR)	2	50193-01	50193-01
		8K	2004 - 2006	SL0890/0893	2		
			2007 - Present	SL0890/0893 (SR and SSR)	2		
18	LIFT AIR SPRING	13K	2004 - Present	SL1190	2	AS0058C	AS0058C
			2011 - Present	SL1190SSR	2		
			2012 - Present	SL1195 (SR and SSR)	2		
			2015 - Present	SL13AA	2		

Parts List - SL SERIES 8K, 10K, 13K



(Continued from page 10)

ITEM	DESCRIPTION	CAP.	YRS. OF SERVICE	SUSPENSION MODEL	QTY.	PART NUMBER	CURRENT REPLACEMENT
18	LIFT AIR SPRING	10K	2009 - Present	SL1093	2	AS0058C	AS0058C
			2012 - Present	SL1093SSR	2		
		8K	2004 - Present	SL0890/0893	2		
			2012 - Present	SL0893SSR	2		

19	LIFT AIR SPRING HARDWARE PACK	13K	2004 - 2006	SL1190	1	16085-01	HPLT16085-01
			2007 - Present	SL1190	1	16085	HPLT16085
			2011 - Present	SL1190SSR	1		
			2012 - Present	SL1195 (SR and SSR)	1		
			2015 - Present	SL13AA	1		
		10K	2009 - Present	SL1093	1	16085	HPLT16085
			2012 - Present	SL1093SSR	1		
		8K	2004 - 2015	SL0890/0893	1	16085-01	HPLT16085-01
			2015 - Present	SL0890/0893	1	16085	HPLT16085
			2012 - Present	SL0893SSR	1		

20	BUSHINGS / PIVOT HARDWARE	13K	2004 - 2009	SL1190 (POLY)	1	SRK1190-1	SRK1190-1
			2009 - 2014	SL1190 (RUBBER)	1	SRK1190-3C	
			2014 - Present	SL1190 (POLY)	1	SRK1190-1	
			2011 - 2014	SL1190SSR (RUBBER)	1	SRK1190-3C	
			2014 - Present	SL1190SSR (POLY)	1	SRK1190-1	
			2012 - 2014	SL1195 (RUBBER)	1	SRK1190-3C	
			2014 - Present	SL1195 (POLY)	1	SRK1190-1	
			2012 - 2014	SL1195SSR (RUBBER)	1	SRK1190-3C	
			2014 - Present	SL1195SSR (POLY)	1	SRK1190-1	
		2015 - Present	SL13AA (POLY)	1	SRKSL13AA-1	SRKSL13AA-1	
		10K	2009 - 2014	SL1093 (RUBBER)	1	SRK1190-3C	SRK1190-1
			2014 - Present	SL1093 (POLY)	1	SRK1190-1	
			2012 - 2014	SL1093SSR (RUBBER)	1	SRK1190-3C	
			2014 - Present	SL1093SSR (POLY)	1	SRK1190-1	
		8K	2004 - 2009	SL0890/0893 (POLY)	1	SRK1190-1	SRK1190-1
			2009 - 2014	SL0890/0893 (RUBBER)	1	SRK1190-3C	
			2014 - Present	SL0890/0893 (POLY)	1	SRK1190-1	
			2012 - 2014	SL0893SSR (RUBBER)	1	SRK1190-3C	
			2014 - Present	SL0893SSR (POLY)	1	SRK1190-1	

21	PIVOT HARDWARE	13K	2004 - Present	SL1190	1	SRK1190-2	SRK1190-2
			2011 - Present	SL1190SSR	1		
			2012 - Present	SL1195 (SR and SSR)	1		
			2015 - Present	SL13AA	1		
		10K	2009 - Present	SL1093	1	SRK1190-2	SRK1190-2
			2012 - Present	SL1093SSR	1		
		8K	2004 - Present	SL0890/0893	1		
2012 - Present	SL0893SSR		1				

22	LIFT BAG PLUMBING	13K	2004 - 2006	SL1190 (All Spacer Heights)	1	17979-03	17979-03
			2007 - Present	SL1190 (1" Spacer)	1	980158-20	HPLT020
				SL1190 (2" Spacer)	1	980158-21	HPLT021
				SL1190 (3" Spacer)	1		

Parts List - SL SERIES 8K, 10K, 13K



(Continued from page 11)

ITEM	DESCRIPTION	CAP.	YRS. OF SERVICE	SUSPENSION MODEL	QTY.	PART NUMBER	CURRENT REPLACEMENT	
22	LIFT BAG PLUMBING	13K	2007 - Present	SL1190 (4" Spacer)	1	980158-22	HPLT022	
				SL1190 (5" Spacer)	1			
			2011 - Present	SL1190SSR (3" Spacer)	1	980158-21	HPLT021	
				SL1190SSR (4" Spacer)	1	980158-22	HPLT022	
				SL1190SSR (5" Spacer)	1			
			2012 - Present	SL1195 (1" Spacer)	1	980158-20	HPLT020	
				SL1195 (2" Spacer)	1	980158-21	HPLT021	
				SL1195 (3" Spacer)	1			
				SL1195 (4" Spacer)	1	980158-22	HPLT022	
				SL1195 (5" Spacer)	1			
				SL1195SSR (3" Spacer)	1	980158-21	HPLT021	
				SL1195SSR (4" Spacer)	1	980158-22	HPLT022	
				SL1195SSR (5" Spacer)	1			
			2015 - Present	SL13AA (3" Spacer)	1	HPLT021	HPLT021	
				SL13AA (4" Spacer)	1	HPLT022	HPLT022	
				SL13AA (5" Spacer)	1			
			10K	2009 - Present	SL1093 (1" Spacer)	1	980158-20	HPLT020
					SL1093 (2" Spacer)	1	980158-21	HPLT021
		SL1093 (3" Spacer)			1			
		SL1093 (4" Spacer)			1	980158-22	HPLT022	
		SL1093 (5" Spacer)			1			
		2012 - Present		SL1093SSR (3" Spacer)	1	980158-21	HPLT021	
				SL1093SSR (4" Spacer)	1	980158-22	HPLT022	
				SL1093SSR (5" Spacer)	1			
		8K	2004 - 2006	SL0890/0893	1	17979-03	17979-03	
			2006 - Present	SL0890/0893 (1" Spacer)	1	980158-20	HPLT020	
				SL0890/0893 (2" Spacer)	1	980158-21	HPLT021	
				SL0890/0893 (3" Spacer)	1			
SL0890/0893 (4" Spacer)	1			980158-22	HPLT022			
SL0890/0893 (5" Spacer)	1							
2012 - Present	SL0890/0893 SSR (3" Spacer)		1	980158-21	HPLT021			
	SL0890/0893 SSR (4" Spacer)		1	980158-22	HPLT022			
	SL0890/0893 SSR (5" Spacer)	1						

23	STABILIZER SHOCK ABSORBER	13K	2004 - Present	SL1190	2	11418	11418
			2011 - Present	SL1190SSR	2		
			2012 - Present	SL1195 (SR and SSR)	2		
			2015 - Present	SL13AA	2		
		10K	2009 - Present	SL1093	2		
			2012 - Present	SL1093SSR	2		
		8K	2004 - Present	SL0890/0893	2		
			2012 - Present	SL0893SSR	2		

24	STABILIZER SHOCK HARDWARE	13K	w/Meritor Knuckles 2004 - 2005	SL1190	1	980144	980144 (inc. shocks)
			w/Meritor Knuckles 2005 - Present	SL1190	1	980150-01	980150-01
			w/Westport Knuckles 2006 - 2014	SL1190	1	980151	HPSS19613

Parts List - SL SERIES 8K, 10K, 13K



(Continued from page 12)

ITEM	DESCRIPTION	CAP.	YRS. OF SERVICE	SUSPENSION MODEL	QTY.	PART NUMBER	CURRENT REPLACEMENT	
24	STABILIZER SHOCK HARDWARE	13K	w/Westport Knuckles 2014 - Present	SL1190	1	HPSS19613	HPSS19613	
			2011 - 2014	SL1190SSR	1	980151		
			2014 - Present	SL1190SSR	1	HPSS19613		
			2012 - Present	SL1195 (SR and SSR)	1	HPSS19613		
			2015 - Present	SL13AA	1	HPSS19613		
		10K	2009 - 2014	SL1093	1	980151	HPSS19613-01	
			2014 - Present	SL1093	1	HPSS19613-01		
			2012 - 2014	SL1093SSR	1	980151	HPSS19613-01	
			2014 - Present	SL1093SSR	1	HPSS19613-01		
		8K	w/Meritor Knuckles 2004 - Present	SL0890	1	980124	980124 (inc. shocks)	
			w/Westport Knuckles 2006 - 2014	SL0890	1	980151	HPSS19613	
			w/Westport Knuckles 2014 - Present	SL0890	1	HPSS19613		
			w/Meritor Knuckles 2006 - Present	SL0893	1	980124	980124 (inc. shocks)	
			w/Westport Knuckles 2006 - 2014	SL0893	1	980151	HPSS19613	
			w/Westport Knuckles 2014 - Present	SL0893	1	HPSS19613		
			w/Westport Knuckles 2006 - 2014	SL0893SSR	1	980151	HPSS19613	
w/Westport Knuckles 2014 - Present	SL0893SSR		1	HPSS19613				
25	BRAKE ATTACHMENT HARDWARE	13K	2004 - 2011	SL1190	1	SRK104	HPBM16075	
			2011 - Present	SL1190	1	16075		
			2011 - Present	SL1190SSR	2	N/A		N/A (integrated brake)
			2012 - Present	SL1195 (SR and SSR)	0			
			2015 - Present	SL13AA	0			
		10K	2009 - Present	SL1093	2	SRK109	HPBMSRK109	
			2012 - Present	SL1093SSR	2			
		8K	2004 - Present	SL0890/0893	2	16088	HPBM16088	
			2012 - Present	SL0893SSR	2			
		26	KNUCKLE ASSEMBLY	13K	Meritor 2004 - Present	SL1190	1	18040
Westport 2006 - 2007	SL1190				1	19113	19613 (Kingpin kit SRK112)	
Westport 2007 - Present	SL1190				1	19613		
2011 - Present	SL1190SSR				1	19613	19613 (Kingpin kit SRK112)	
2012 - Present	SL1195 (SR and SSR)				1	Fab (See SL1195 or SL13AA Assy. Drawing) - Kingpin Kit SRK107		
2015 - Present	SL13AA				1			
10K	2009 - Present			SL1093	1	19690	19690 (Kingpin kit SRK107)	
	2012 - Present			SL1093SSR	1			
8K	w/Meritor Knuckles 2004 - Present			SL0890	1	18080	18080 (Kingpin kit SRK103)	
	w/Westport Knuckles 2006 - 2007			SL0890	1	19108	19608 (Kingpin kit SRK115)	
	w/Westport Knuckles 2007 - Present	SL0890	1	19608				

Parts List - SL SERIES 8K, 10K, 13K



ITEM	DESCRIPTION	CAP.	YRS. OF SERVICE	SUSPENSION MODEL	QTY.	PART NUMBER	CURRENT REPLACEMENT
26	KNUCKLE ASSEMBLY	8K	w/Meritor Knuckles 2006-Present	SL0893	1	18080	18080 (Kingpin kit SRK103)
			w/Westport Knuckles 2006-2007	SL0893	1	19108	19608 (Kingpin kit SRK115)
			w/Westport Knuckles 2007 - Present	SL0893	1	19608	
			w/Westport Knuckles 2006 - Present	SL0893SSR	1	19608	19608 (Kingpin kit SRK115)

*Actual product performance may vary depending upon vehicle configuration, operation, service and other factors.
All applications must comply with applicable specifications from Watson & Chalin and the respective vehicle manufacturer.
Contact Watson & Chalin for additional details regarding specifications, applications, capacities, and operation, service and maintenance instructions.*

Contact Watson & Chalin at 972.547.6020 for additional information.



Watson & Chalin
725 E. University Drive, McKinney, Texas 75069
972.547.6020 • 800.445.0736 • Fax 972.542.0097
www.watsonsuspensions.com



W&C205 Rev A 04-19 *Watson and Chalin is a brand of Hendrickson*

© 2016 – 2019 Watson & Chalin Manufacturing Inc. All Rights Reserved. All trademarks shown are owned by Watson & Chalin Manufacturing Inc., or one of its affiliates, in one or more countries.
Information contained in this literature was accurate at the time of publication. Product changes may have been made after the copyright date that are not reflected.

Printed in United States of America